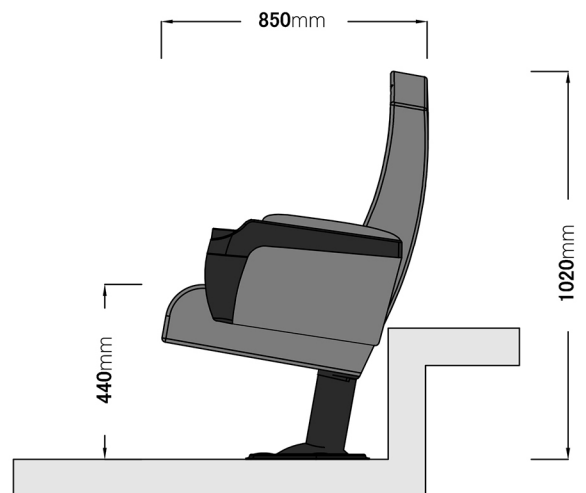
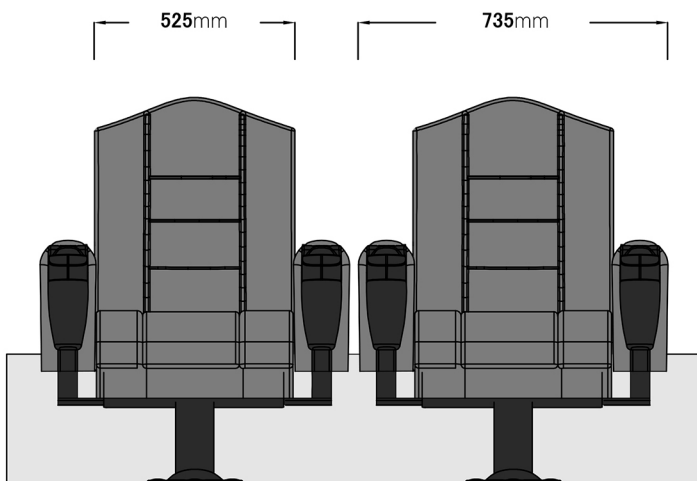




- The PR-202, with its ergonomic and robust structure, is designed for protocol areas, VIP lounges, cinemas, theaters, conference halls, stadiums, and auditoriums. The seatrest and central leg are fixed. The seat does not generate noise due to its fixed mechanism. As there is no mechanism within the central leg, it requires no maintenance. The seatrest and backrest of the centrally legged system use cast polyurethane sponge with a metal skeleton inside. The polyurethane used in these seats is flame retardant. 4mm lamination is applied to the upholstery used in the PR-202 stadium seats. The backrest upholstery area allows for logo and advertising applications. The upholstery used in the seats is produced with resistance to UV rays, abrasion, chlorine, and fire. The inner skeleton of the armrests is made of MDF coated with metal profiles and covered with upholstery. The upholstered armrests have a PP injection cup holder unit on the front surface. The armrests can be produced as shared or two units for each stadium seat, as per request. The armrests are connected to the central leg system.



TECHNICAL SPECIFICATIONS:

- The seating and backrest units of the chairs consist of a 50±10% density polyurethane filling on a metal frame.
- The sponge components comply with the flame retardancy EN FMV SS 302 standard.
- The metal components are corrosion-resistant according to the EN ISO 9227 standard.
- Highly resistance to hooliganism according to the EN ISO 12727-3 standard.
- The artificial leather used in the upholstery is produced with additives providing high resistance against salt, UV rays, fire, and chlorine.
- The artificial leather used in the upholstery is applied with a 4 mm flame-resistant lamination.
- The seats operate with a fixed seating system.
- The seats are manufactured as centrally single-legged and to be mounted to the ground.
- The armrests are produced with a metal skeleton covered with MDF and laminated leather. There is a PP injection cup holder unit on the armrest's front surface.
- The backrest of the seats are suitable for logo and advertising embroidery applications.

ACCESSORIES:

- Backrest logo application.
- Seat number tag.



Quick Acces

